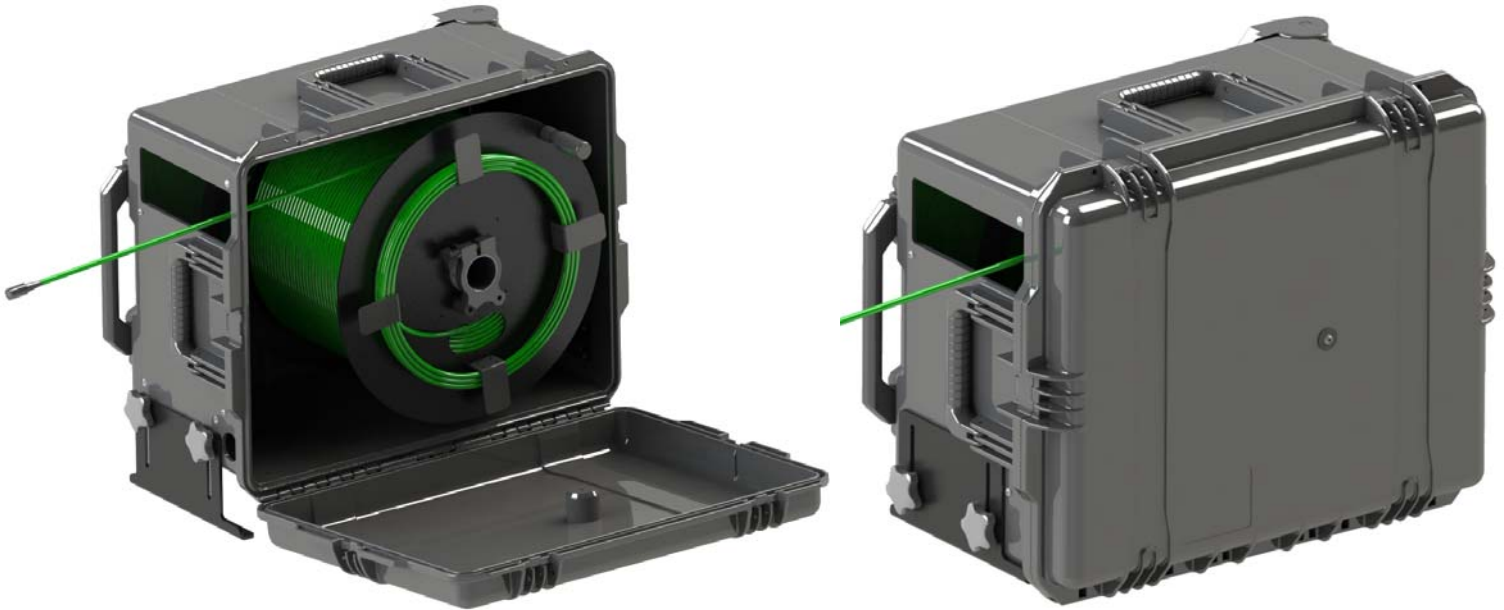




PORTABLE CABLE REEL • PCR-1810

2nd Generation Cable Handling System

2KR Systems



DESCRIPTION

The rugged and mobile PCR-1810 Portable Cable Reel is our largest standard cable reel holding over 320 meters (1050 ft) of 8 mm (0.32 in) diameter cable for connection to your field equipment. The PCR-1810 is an economical cable reel supplied without a slip ring (rotary joint) letting the user install most any small diameter cable regardless of connector type. However the PCR-1810 is upgradable - even after purchase to become the PCR-1820 and include a slip ring and connectors. Cable deployment and recovery is controlled by a drum-mounted revolving handle for easy cable control. A variable friction brake sets the drag preventing free-spooling. All materials are durable and corrosion resistant for long service life. (Shown with customer-supplied cable)

FEATURES

- Highly Portable; One Hand Lift for Rapid Deployment
- Variable Fiction Brake Controls Drum Rotation
- Slide Down Feet with Captive Hardware Deploy in Seconds. No loose parts to get lost.
- Slide-Out Handle and Travel Wheels for Easy Transport
- All Weather Construction; Hose-Down Rinse Inside and Out. Drain holes across base.
- Additional Axle Support when Lid is Closed
- Interior Storage for “Deck Cables” and other items
- Can be supplied with customer selected cable
- Can be upgraded to a Skip Ring and Connectorized reel

APPLICATIONS

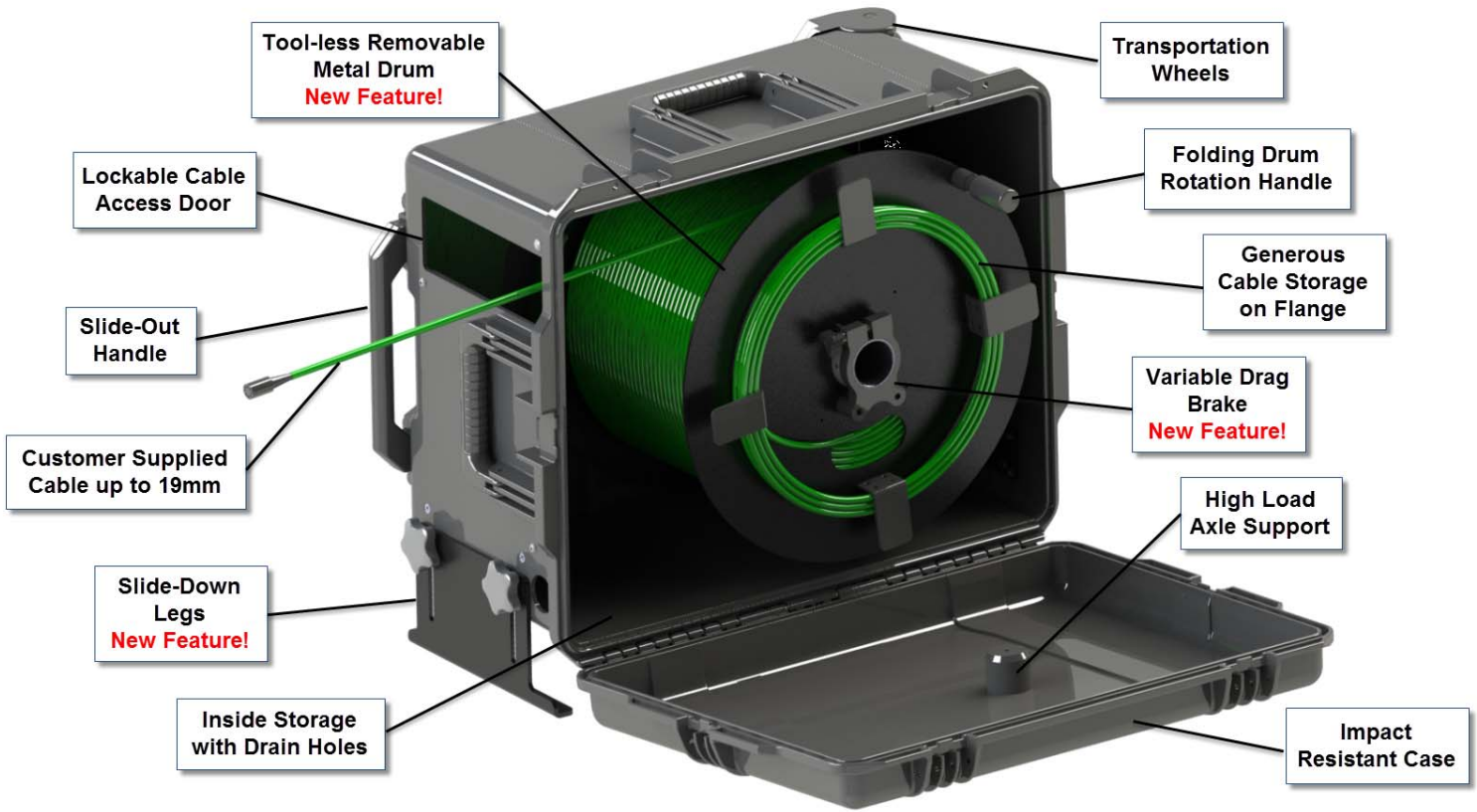
- ◆ Communications Equipment
- ◆ Television & Video Production
- ◆ Mobile Satellite Antennas
- ◆ Emergency Services
- ◆ Remote Cameras and Sensors
- ◆ Mobile Networks
- ◆ Oceanographic, ROV & AUV Support Cables



Call or email us to discuss your application and to see how the Portable Cable Reel can enhance your product line and field operations.

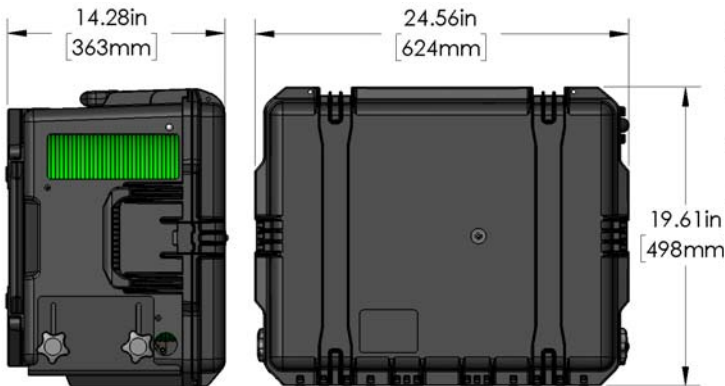
Made in the USA by 2KR Systems, LLC

www.@2KRsystems.com • info@2KRsystems.com • voice 603-397-3330

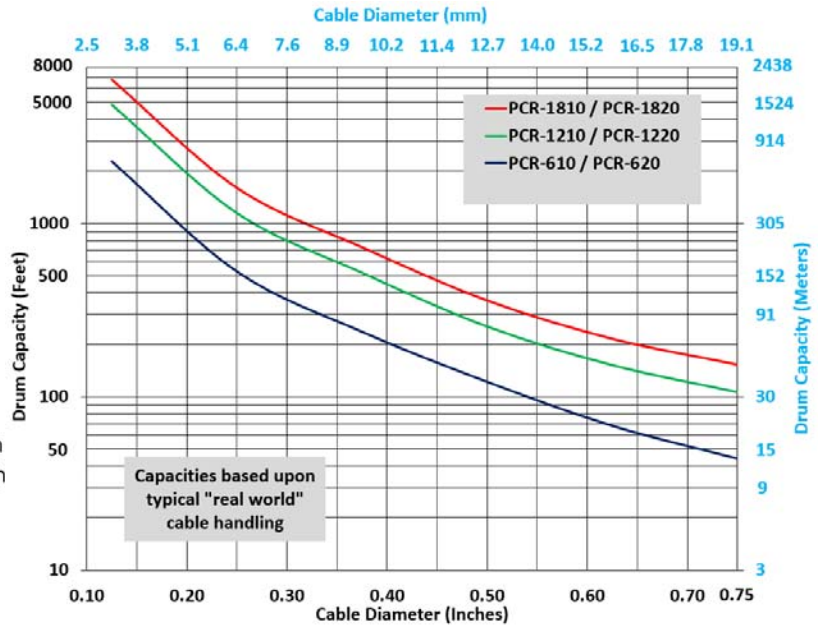


PCR-1810 SPECIFICATIONS

Weight: 35 lbs (15.9 kg) nominal (w/o cable)
Drum Dimensions: 6.0 in (152 mm) Drum Diameter
 16.3 in (414 mm) Flange Diameter
 9.9 in (251 mm) Drum Length



Cable Capacity



Call or email us to discuss your application and to see how the Portable Cable Reel can enhance your product line and field operations.

Made in the USA by 2KR Systems, LLC

www.@2KRsystems.com • info@2KRsystems.com • voice 603-397-3330